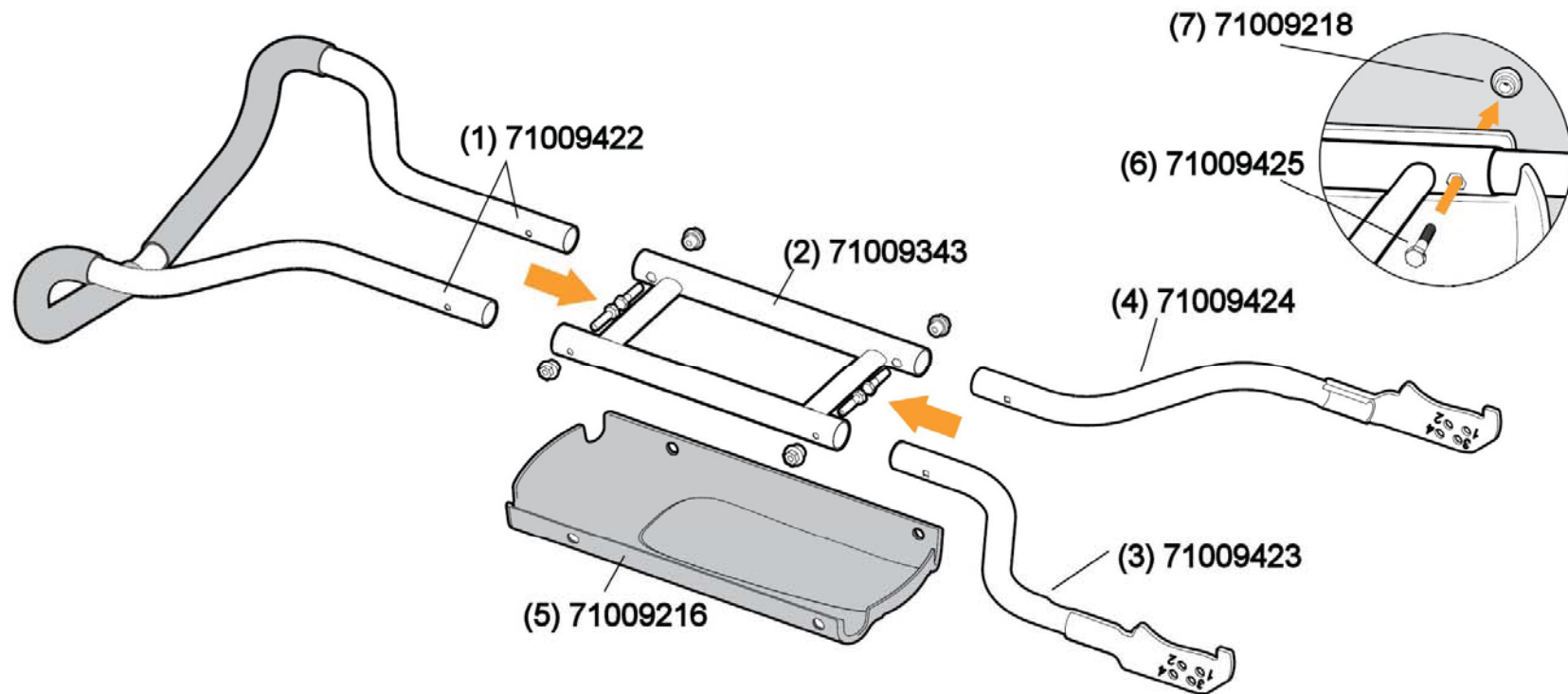
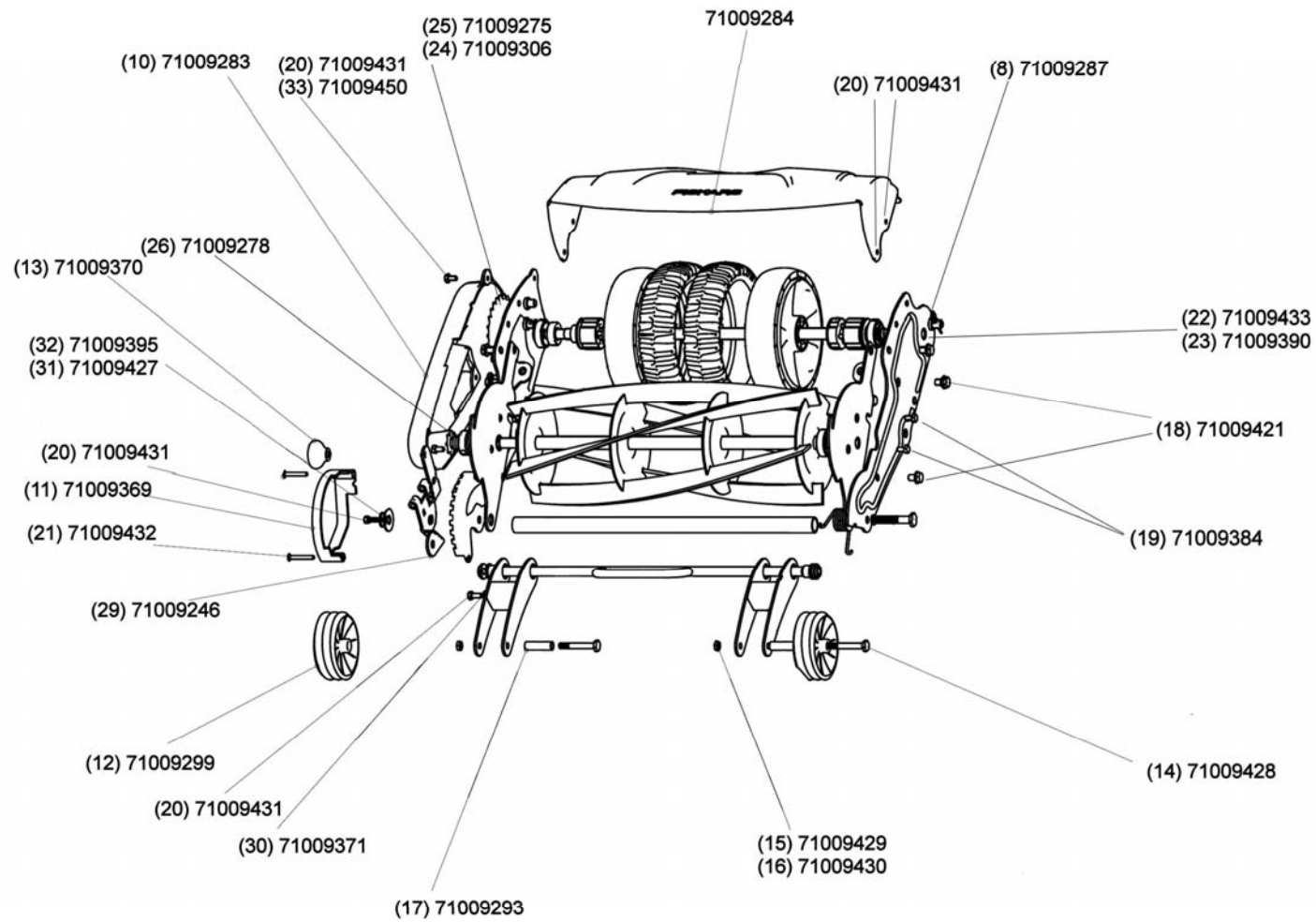


# Breakdown picture - Handle



# Breakdown picture - Chassis



# Breakdown picture – Chassis side

